

BAEM15-48BC/MV-A

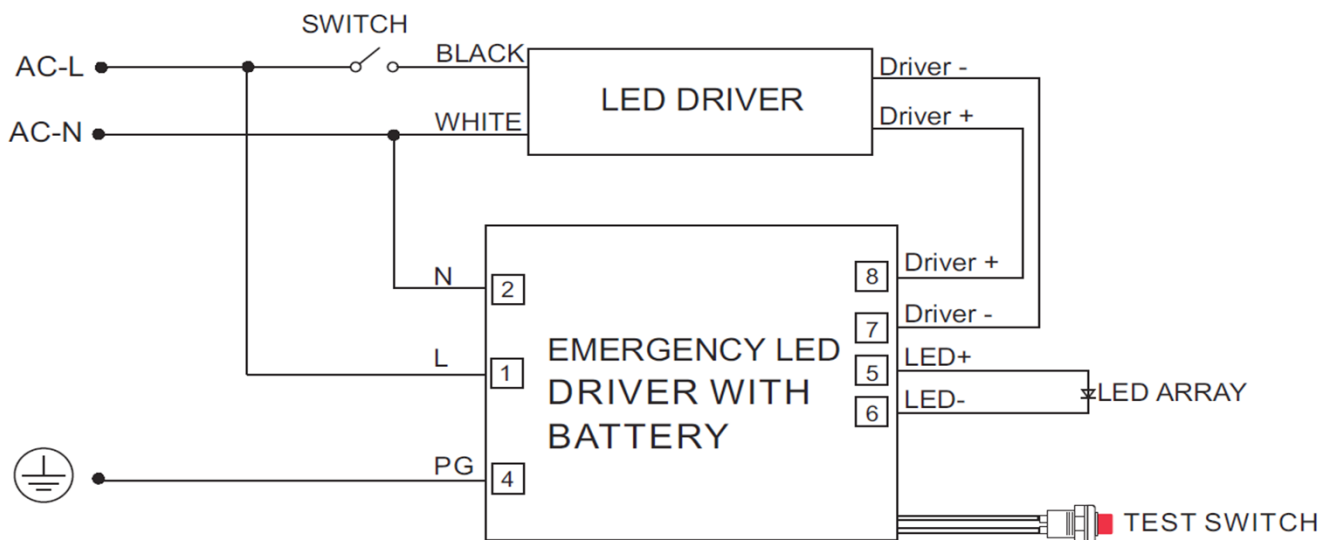
Order Code	7334
Input Voltage	120~277 Vac
Frequency	50/60 Hz
Input Current	100mA Max
Weight	0.75 Kg
Dimension	188x38x29mm + 227x51x25mm



Electrical Characteristics

Output Voltage	25~48 Vdc
Output Current	600mA(@25Vdc) ~ 310mA(@48Vdc)
Output Power	15W Max
Charge Current	250mA
Charging Time	≥ 24 Hours Minimum
Discharging Time	90 Minutes Minimum
Operation Environment Temperature	32F ~158F
Battery Life	500 cycles
Primary Application	Indoor, Commercial, Residential
Certifications	UL, CEC (BC Mark)

Wiring Diagram



Cautions & Warnings: Contains Nickel-Metal-Hydride. Rechargeable Battery. Must be recycled or disposed properly.

Warning: To prevent high voltage from being present on orange output leads prior to installation, converter connector must be open. Do not join converter connector until installation is complete and AC power is supplied to the emergency driver.

BAEM4-60BC/MV-A

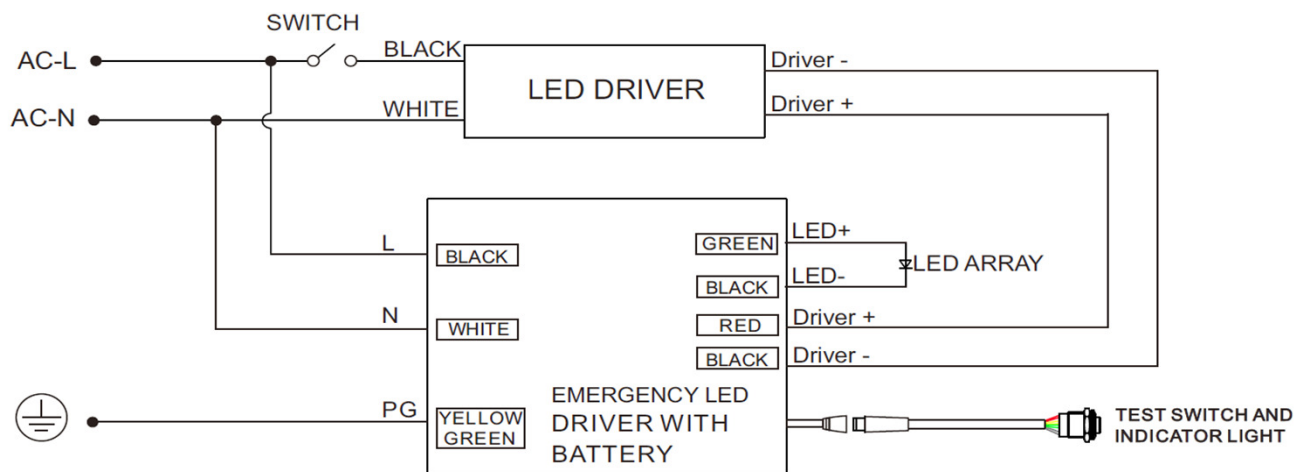


Order Code	7336
Input Voltage	120~277 Vac
Frequency	50/60 Hz
Input Current	100mA Max
Weight	0.38 lbs
Dimension	163.4x40.6x30mm (6.4x1.6x1.2in)

Electrical Characteristics

Output Voltage	10~60 Vdc
Output Current	60mA(@10Vdc) ~ 400mA(@60Vdc)
Output Power	3.9W Max
Charge Current	250mA
Charging Time	≥ 24 Hours Minimum
Discharging Time	90 Minutes Minimum
Operation Environment Temperature	32F ~122F
Battery Life	500 cycles
Primary Application	Indoor, Commercial, Residential
Certifications	UL 924, CEC (BC Mark)

Wiring Diagram



AC LED driver output current cannot exceed 1A or 50W

Cautions & Warnings: Contains Lithium-ion. Rechargeable Battery. Must be recycled or disposed properly.

Warning: To prevent high voltage from being present on LED (-) lead proper to installation, battery pack must be disconnect. Do not connect battery pack until installation is complete and AC power is supplied to the emergency driver.